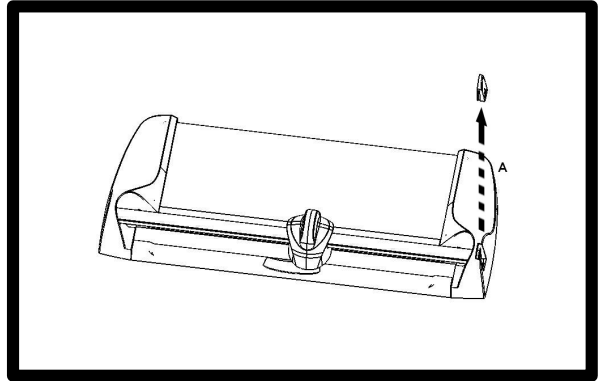
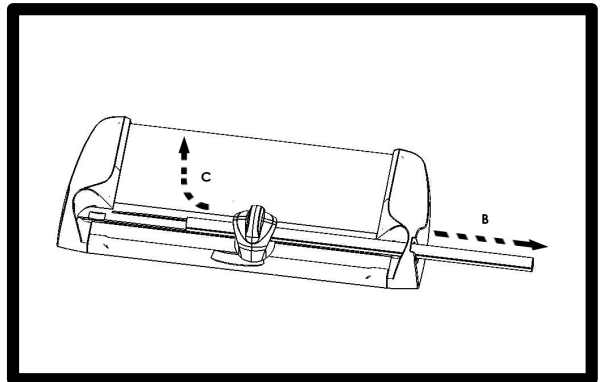


How to change the cutting head:

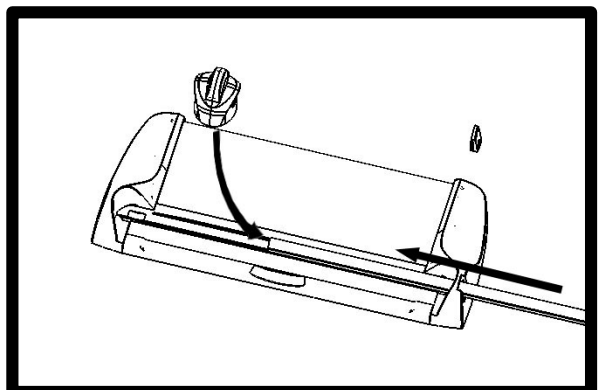
A. Remove the plastic stopper



B. Remove the aluminum rail



C. Replace the cutting head, then put back the rail and stopper



Warning: Do not overfeed papers!

Children should not use this product without supervision!